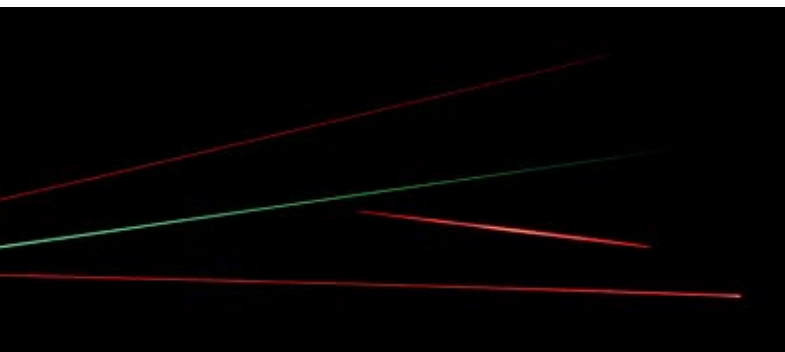


PreciLine Lasers



- Full range of laser guide lights
- Designed for harsh industrial applications
- High quality precision optics
- Sharp projection on all types of material
- More than 30 years experience in laser guide lights



Technical details

All lasers have a compact size for easy installation in most places. Various output light angles give different line lengths. Optional optics, like point, ring and cross are possible. The lasers are made for rough industrial environments, with a M18 industry housing made of chromed brass and an optic head made of blue anodised

aluminium. This robust design provides a dust- and waterproof, IP67, protection category. They have an effective temperature cooling, working in ambient temperatures up to 50°C, protection against reverse polarity and transients, all of which ensures a long life length.

Accessories

The lasers can be mounted with the two supplied M18 thread nuts, alternatively by the optional adjustable bracket. Electrical connection is made with a 4-pin, M12 plug. A small LED light indicates laser on/off.

Power supply: Standard power supply's for European C (CEE 7/16 Europlug) and USA A (NEMA 1-15 USA 2 pin)



PreciLine Lasers

Laser guide lights are a very useful tool in many different types of industry. They can be used as positioning of work pieces and tools, eliminating the need of mechanical fixtures and rulers. Improves working efficiency and safety in tight spaces and where both hands are required during work.

PreciLine is LIMAB's new range of sharp and highly visible red and green light diode lasers.

All our lasers are robust and made for heavy industrial use. LIMAB lasers are well protected against over voltage and transients.

PreciLine R

LIMAB's most popular red laser guide light with the latest technology. M18 industry housing made of rigid chromed brass, with optic head in blue anodised aluminium, in a newly developed design for improved heat protection. The PreciLine has an external power supply, which makes them compact, easy to install and very price competitive.

PreciLine G

The PreciLine G is the new generation of green lasers from LIMAB, based on the same housing as the R series. It's the right choice if you need extremely visible lines or have much ambient light. The green laser emits light at a frequency that is more visible to the human eye than red lasers.



Applications

LIMAB has since 30 years supplied lasers to most industries. To the wood industry for all types of sawing and cutting operations like board sorting, edging operations, planer infeeds and veneer shears. Steel industry for cutting to size, welding and plate positioning. Stone industry

for cutting. Plastic and rubber industries for forming processes. For many types of assembly the lasers are used for parts placement operations. Another big application is the use of line lasers as OEM components in various camera vision systems for surface profiling.

Selecting a laser

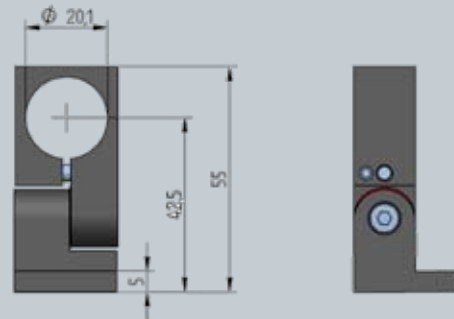
Here some questions to help finding the best solution for your application:

- Type of laser: line/point/cross/ring/...?
- Required size (length, spot, diameter) of projected light?
- Target material: wood/steel/rubber/stone/...?
- Type of operation: positioning/cut marking/alignment/profiling/...?
- Distance laser-target?
- Working environment: ambient light, temperature, air pollutions?
- Laser light: red or green?

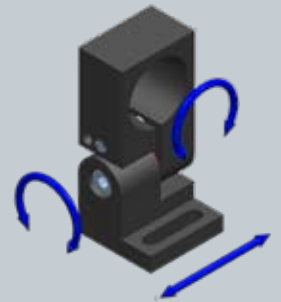
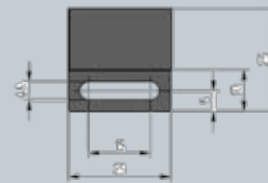
Technical specifications

Model	5 mW R (red)	20mW R	40mW R
Part No.	90344	90340	90342/90341
Wave length	635nm - 642nm		
Laser class	2, 2M, 3R, 3B		
Output angle	90°	90°	10° (40mW) / 90°
Connection	M12 plug, 4-pin M12 plug, 4-pin M12 plug, 4-pin		
Supply voltage	4.75-30VDC		
Protection category	IP 67, dust- and waterproof		
Protection	Reverse polarity and transient / ESD		
Dimensions	93mm (3,66") x Ø 20mm (0,79")		
Environmental conditions	-10°C up to +50°C		
MTTF at 25°C	> 30.000h		

Model	20mW G (Green)
Part No.	90343
Wave length	532nm
Laser class	2, 2M, 3R, 3B
Output angle	90°
Connection	M12 plug, 4-pin
Supply voltage	4.75-30VDC
Protection category	IP 67, dust-proof and waterproof
Protection	Reverse polarity and transient / ESD
Dimensions	136mm (5,35") x Ø 20mm (0,79")
Environmental conditions	-10°C up to +50°C
MTTF at 25°C	> 5.000h



Accessories	Part No.
Adjustable bracket	90300
Powersupply, plug in	90320
Cable 4-pin 5m 90, 5mW	90321



Adjustable bracket

Laser Class according to EN 60825-1:2014 and 21 CFR 1040.10 and 1040.11 except for deviations pursuant to Laser Notice No. 50, dated June 24, 2007



LASER RADIATION
DO NOT STARE INTO BEAM
CLASS 2 LASER PRODUCT

LASER RADIATION
AVOID EXPOSURE TO BEAM
CLASS 3B LASER PRODUCT

LASER RADIATION
AVOID DIRECT EYE EXPOSURE
CLASS 3R LASER PRODUCT

We reserve the right to introduce modifications without prior notice.



LIMAB has been working with laser technology for more than 40 years with thousands of installed lasers world-wide. We not only produce laser guide lights, but also lasers sensors and complete systems for dimensional and profile measurement in sawmills, panels production and steel mills. Headquarter and manufacturing is located in Gothenburg, Sweden. LIMAB has regional offices in USA, Germany and UK. In other parts of the world LIMAB is represented by local agents and partners or work directly from Sweden.



LIMAB North America Inc.
9301 Monroe Road, Suite B
Charlotte, NC 28270
USA
Tel: 001 (0) 704 321 0760
www.limab.com

LIMAB GmbH
Dompfaffstr. 26
D-82223 Eichenau
Germany
Tel: +49 (0) 89 81415276880
www.limab.de

LIMAB UK Ltd
Unit 3L, Westpark 26
Wellington
Somerset, TA21 9AD UK
Tel: 0044 (0) 1823 668633
www.limab.co.uk



Almedalsvägen 15
SE-412 63 Göteborg
Sweden
Phone +46 (0)31 - 58 44 00
sales@limab.se - www.limab.com